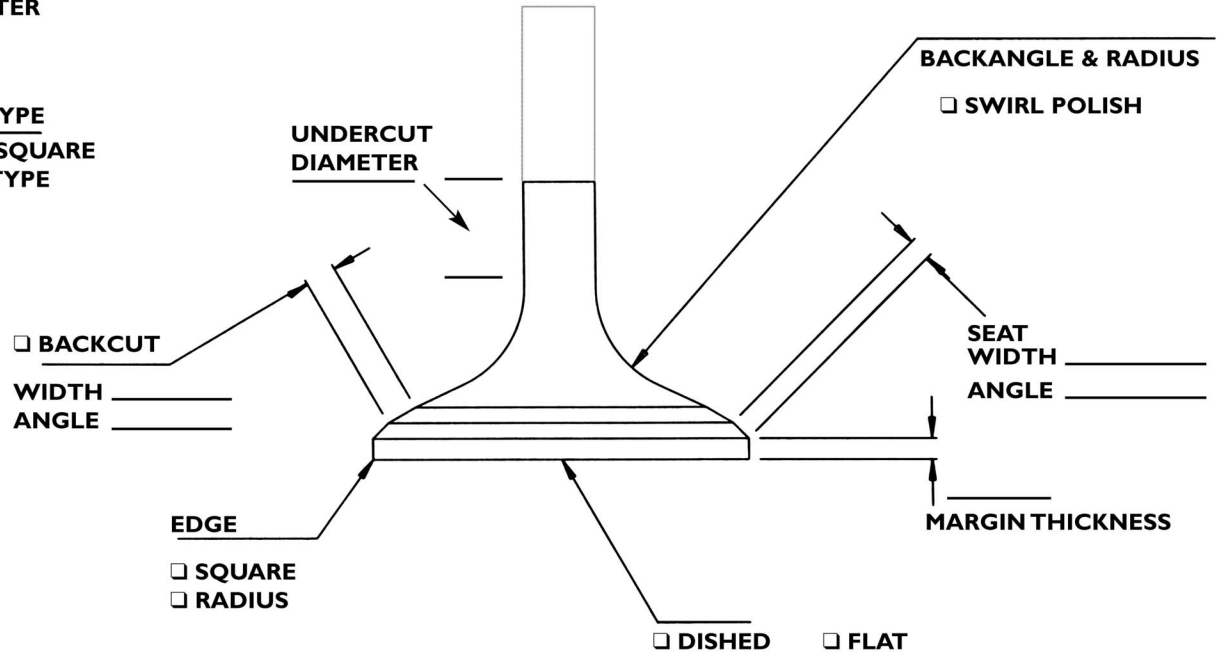
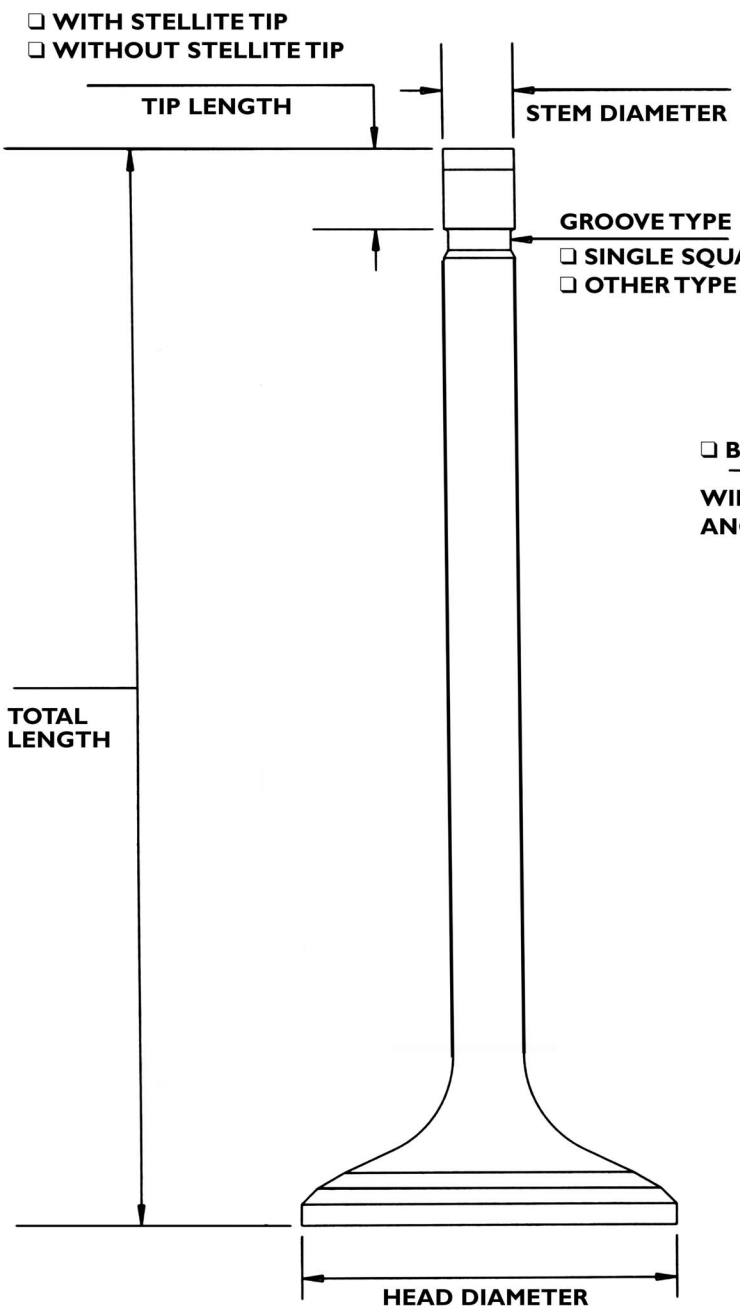


SI VALVES SPECIAL ORDER FORM*

PLEASE FILL IN ALL DIMENSIONS AND INFORMATION



*** ALL SPECIAL ORDERS REQUIRE 50% DEPOSIT BEFORE WORK BEGINS**

CUSTOMER INFORMATION	
CUST. NO.:	_____
CUST. NAME:	_____
DATE:	_____
QUANTITY:	_____